

# LM3303/LM3403 Quad Operational Amplifiers

## General Description

The LM3303 and LM3403 are monolithic quad operational amplifiers consisting of four independent high gain, internally frequency compensated, operational amplifiers designed to operate from a single power supply or dual power supplies over a wide range of voltages. The common mode input range includes the negative supply, thereby eliminating the necessity for external biasing components in many applications.

- Four internally compensated operational amplifiers in a single package
- Wide power supply range single supply of 3.0V to 36V dual supply of  $\pm 1.5V$  to  $\pm 18V$
- Class AB output stage for minimal crossover distortion
- Short circuit protected outputs
- High open loop gain 200k
- LM741 operational amplifier type performance

## Features

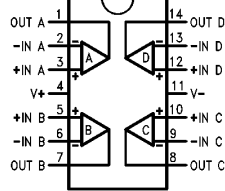
- Input common mode voltage range includes ground or negative supply
- Output voltage can swing to ground or negative supply

## Applications

- Filters
- Voltage controlled oscillators

## Connection Diagram

14-Lead DIP and SO-14 Package



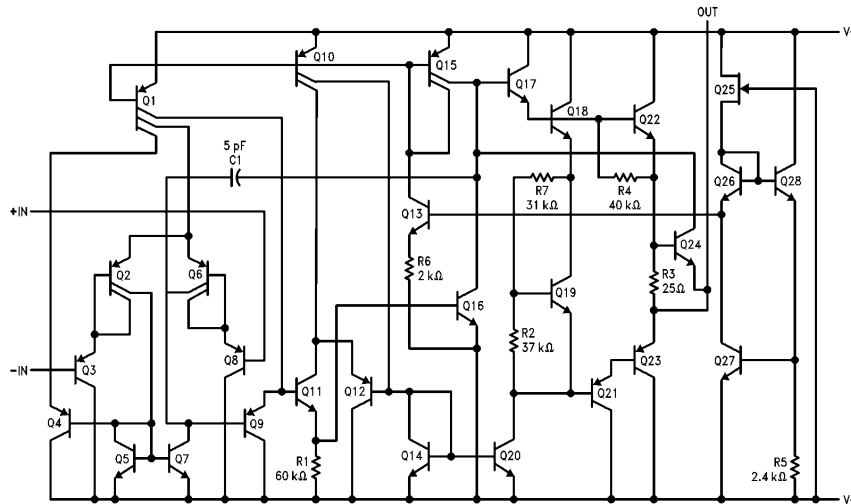
Top View

TL/H/10064-1

## Order Information

Device Code	Package Code	Package Description
LM3303J	J14A	Ceramic DIP
LM3303N	N14A	Molded DIP
LM3303M	M14A	Molded Surface Mount
LM3403J	J14A	Ceramic DIP
LM3403N	N14A	Molded DIP
LM3403M	M14A	Molded Surface Mount

## Equivalent Circuit (1/4 of Circuit)



TL/H/10064-2

## Absolute Maximum Ratings

If Military/Aerospace specified devices are required, please contact the National Semiconductor Sales Office/Distributors for availability and specifications.

Storage Temperature Range		
Ceramic DIP	-65°C to +175°C	
Molded DIP and SO-14	-65°C to +150°C	
Operating Temperature Range		
Industrial (LM3303)	-40°C to +85°C	
Commercial (LM3403)	0°C to +70°C	
Lead Temperature		
Ceramic DIP (Soldering, 60 sec.)	300°C	
Molded DIP and SO-14 (Soldering, 10 sec.)	265°C	

Internal Power Dissipation (Notes 1, 2)		
14L-Ceramic DIP		1.36W
14L-Molded DIP		1.04W
SO-14		0.93W
Supply Voltage between V+ and V-		36V
Differential Input Voltage (Note 3)		±30V
Input Voltage		(V-) - 0.3V to V+
ESD Tolerance		(To Be Determined)

## LM3303 and LM3403

**Electrical Characteristics**  $T_A = 25^\circ\text{C}$ ,  $V_{CC} = \pm 15\text{V}$ , unless otherwise specified

Symbol	Parameter	Conditions	LM3303			LM3403			Units
			Min	Typ	Max	Min	Typ	Max	
$V_{IO}$	Input Offset Voltage			2.0	8.0		2.0	8.0	mV
$I_{IO}$	Input Offset Current			30	75		30	50	nA
$I_{IB}$	Input Bias Current			200	500		200	500	nA
$Z_I$	Input Impedance		0.3	1.0		0.3	1.0		MΩ
$I_{CC}$	Supply Current	$V_O = 0\text{V}$ , $R_L = \infty$		2.8	7.0		2.8	7.0	mA
CMR	Common Mode Rejection	$R_S \leq 10\text{ k}\Omega$	70	90		70	90		dB
$V_{IR}$	Input Voltage Range		+12V to V-	+12.5V to V-		+13V to V-	+13.5V to V-		V
PSRR	Power Supply Rejection Ratio			30	150		30	150	$\mu\text{V}/\text{V}$
$I_{OS}$	Output Short Circuit Current (Per Amplifier) (Note 4)		±10	±30	±45	±10	±30	±45	mA
$A_{VS}$	Large Signal Voltage Gain	$V_O = \pm 10\text{V}$ , $R_L \geq 2.0\text{ k}\Omega$	20	200		20	200		V/mV
$V_{OP}$	Output Voltage Swing	$R_L = 10\text{ k}\Omega$	±12	12.5		±12	+13.5		V
		$R_L = 2.0\text{ k}\Omega$	±10	12		±10	±13		
TR	Transient Response	Rise Time/ Fall Time	$V_O = 50\text{ mV}$ , $A_V = 1.0$ , $R_L = 10\text{ k}\Omega$		0.3			0.3	$\mu\text{s}$
		Overshoot	$V_O = 50\text{ mV}$ , $A_V = 1.0$ , $R_L = 10\text{ k}\Omega$		5.0			5.0	%
BW	Bandwidth	$V_O = 50\text{ mV}$ , $A_V = 1.0$ , $R_L = 10\text{ k}\Omega$		1.0			1.0		MHz
SR	Slew Rate	$V_I = -10\text{V to } +10\text{V}$ , $A_V = 1.0$		0.6			0.6		V/ $\mu\text{s}$

### LM3303 and LM3403 (Continued)

Electrical Characteristics  $T_A = 25^\circ\text{C}$ ,  $V_{CC} = \pm 15\text{V}$ , unless otherwise specified

The following specifications apply for  $-40^\circ\text{C} \leq T_A \leq +85^\circ\text{C}$  for the LM3303, and  $0^\circ\text{C} \leq T_A \leq +70^\circ\text{C}$  for the LM3403

Symbol	Parameter	Conditions	LM3303			LM3403			Units
			Min	Typ	Max	Min	Typ	Max	
$V_{IO}$	Input Offset Voltage				10			10	mV
$\Delta V_{IO}/\Delta T$	Input Offset Voltage Temperature Sensitivity			10			10		$\mu\text{V}/^\circ\text{C}$
$I_{IO}$	Input Offset Current				250			200	nA
$\Delta I_{IO}/\Delta T$	Input Offset Current Temperature Sensitivity			50			50		$\text{pA}/^\circ\text{C}$
$I_{IB}$	Input Bias Current				1000			800	nA
$A_{VS}$	Large Signal Voltage Gain	$V_O = \pm 10\text{V}$ , $R_L \geq 2.0\text{ k}\Omega$	15			15			V/mV
$V_{OP}$	Output Voltage Swing	$R_L = 2.0\text{ k}\Omega$	$\pm 10$			$\pm 10$			V

### LM3303 and LM3403

Electrical Characteristics  $T_A = 25^\circ\text{C}$ ,  $V_+ = 5.0\text{V}$ ,  $V_- = \text{GND}$ , unless otherwise specified

Symbol	Parameter	Conditions	LM3303			LM3403			Units
			Min	Typ	Max	Min	Typ	Max	
$V_{IO}$	Input Offset Voltage				8.0		2.0	8.0	mV
$I_{IO}$	Input Offset Current				75		30	50	nA
$I_{IB}$	Input Bias Current				500		200	500	nA
$I_{CC}$	Supply Current			2.5	7.0		2.5	7.0	mA
PSRR	Power Supply Rejection Ratio				150			150	$\mu\text{V}/\text{V}$
$A_{VS}$	Large Signal Voltage Gain	$R_L \geq 2.0\text{ k}\Omega$	20	200		20	200		V/mV
$V_{OP}$	Output Voltage Swing (Note 5)	$R_L = 10\text{ k}\Omega$	3.3			3.3			V
		$5.0\text{V} \leq V_+ \leq 30\text{V}$ , $R_L = 10\text{ k}\Omega$	(V+) -2.0			(V+) -2.0			
CS	Channel Separation	$1.0\text{ Hz} \leq f \leq 20\text{ kHz}$ (Input Referenced)		-120			-120		dB

**Note 1:**  $T_{J\text{ Max}} = 150^\circ\text{C}$  for the Molded DIP and SO-14, and  $175^\circ\text{C}$  for the Ceramic DIP.

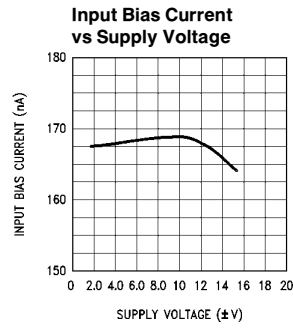
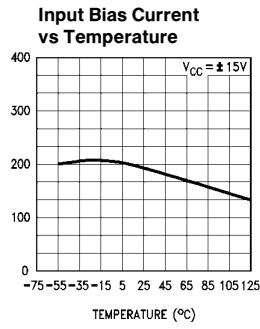
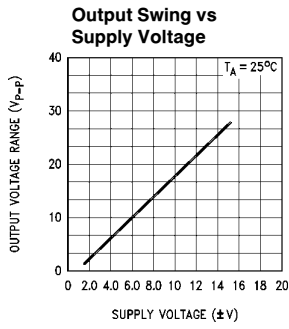
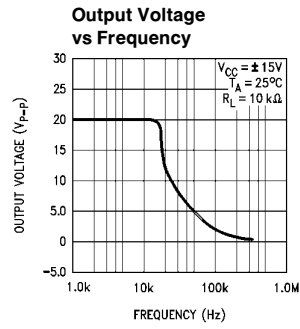
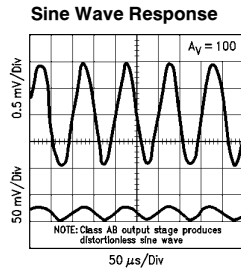
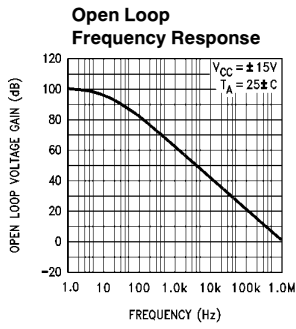
**Note 2:** Ratings apply to ambient temperature at  $25^\circ\text{C}$ . Above this temperature, derate the 14L-Ceramic DIP at  $9.1\text{ mW}/^\circ\text{C}$ , the 14L-Molded DIP at  $8.3\text{ mW}/^\circ\text{C}$ , and the SO-14 at  $7.5\text{ mW}/^\circ\text{C}$ .

**Note 3:** For supply voltage less than 30V between  $V_+$  and  $V_-$ , the absolute maximum input voltage is equal to the supply voltage.

**Note 4:** Not to exceed maximum package power dissipation.

**Note 5:** Output will swing to ground.

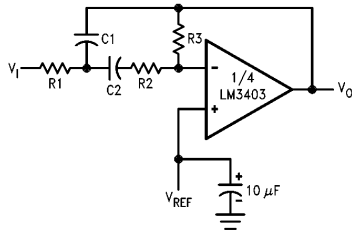
# Typical Performance Characteristics



TL/H/10064-3

## Typical Applications

### Multiple Feedback Bandpass Filter



TL/H/10064-4

$f_o$  = center frequency

BW = Bandwidth

R in k $\Omega$

C in  $\mu$ F

$$Q = \frac{f_o}{BW} < 10$$

$$C1 = C2 = \frac{Q}{3}$$

$R1 = R2 = 1 R3 = 9Q^2 - 1$  } Using scaling factors in these expressions.

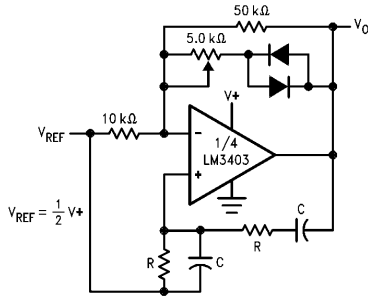
If source impedance is high or varies, filter may be preceded with voltage follower buffer to stabilize filter parameters.

Design example:

given:  $Q = 5$ ,  $f_o = 1$  kHz  
 Let  $R1 = R2 = 10$  k $\Omega$   
 then  $R3 = 9(5)^2 - 10$   
 $R3 = 215$  k $\Omega$

$$C = \frac{5}{3} = 1.6 \text{ nF}$$

### Wein Bridge Oscillator



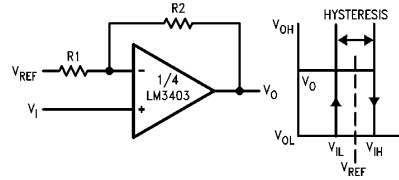
TL/H/10064-5

$$f_o = \frac{1}{2\pi RC} \text{ for } f_o = 1 \text{ kHz}$$

R = 16 k $\Omega$

C = 0.01  $\mu$ F

### Comparator with Hysteresis



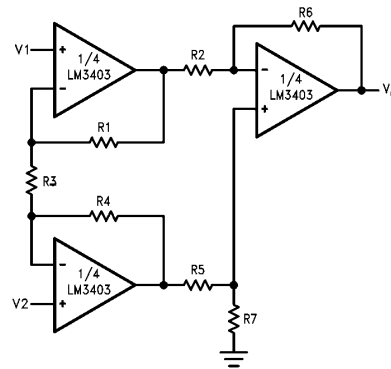
TL/H/10064-6

$$V_{IL} = \frac{R1}{R1 + R2} (V_{OL} - V_{REF}) + V_{REF}$$

$$V_{IH} = \frac{R1}{R1 + R2} (V_{OH} - V_{REF}) + V_{REF}$$

$$H = \frac{R1}{R1 + R2} (V_{OH} - V_{OL})$$

### High Impedance Differential Amplifier



TL/H/10064-7

$$V_{OUT} = C(1 + a + b)(V2 - V1)$$

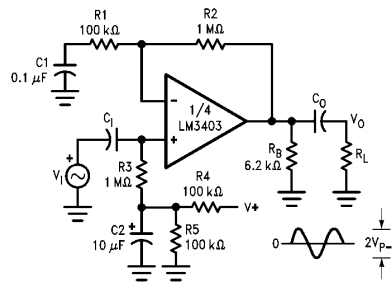
$$\frac{R2}{R5} = \frac{R6}{R7} \text{ for best CMRR}$$

$$R1 = R4$$

$$R2 = R5$$

$$\text{Gain} = \frac{R6}{R5} \left( 1 + \frac{2R1}{R3} \right) = C(1 + a + b)$$

### AC Coupled Non-Inverting Amplifier



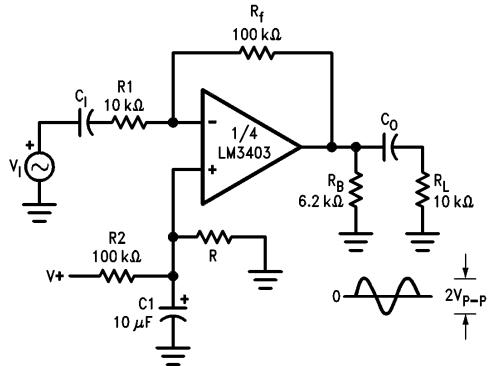
TL/H/10064-9

$$A_v = 1 + \frac{R2}{R1}$$

$$A_v = 11 \text{ (as shown)}$$

## Typical Applications (Continued)

### AC Coupled Inverting Amplifier

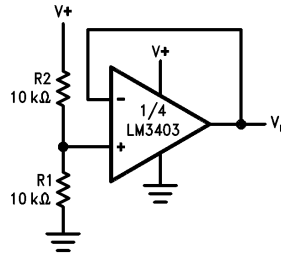


TL/H/10064-8

$$A_V = \frac{R_f}{R_1}$$

$A_V = 10$  (as shown)

### Voltage Reference

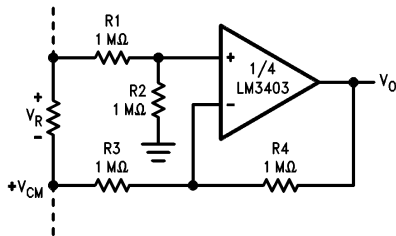


TL/H/10064-10

$$V_O = \frac{R_1}{R_1 + R_2} \left( = \frac{V_+}{2} \text{ as shown} \right)$$

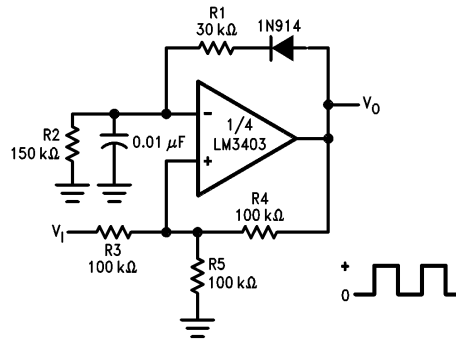
$$V_O = \frac{1}{2} V_+$$

### Ground Referencing a Differential Input Signal



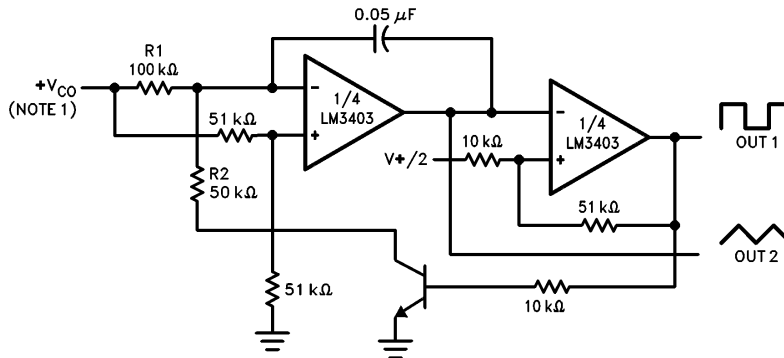
TL/H/10064-11

### Pulse Generator



TL/H/10064-14

### Voltage Controlled Oscillator

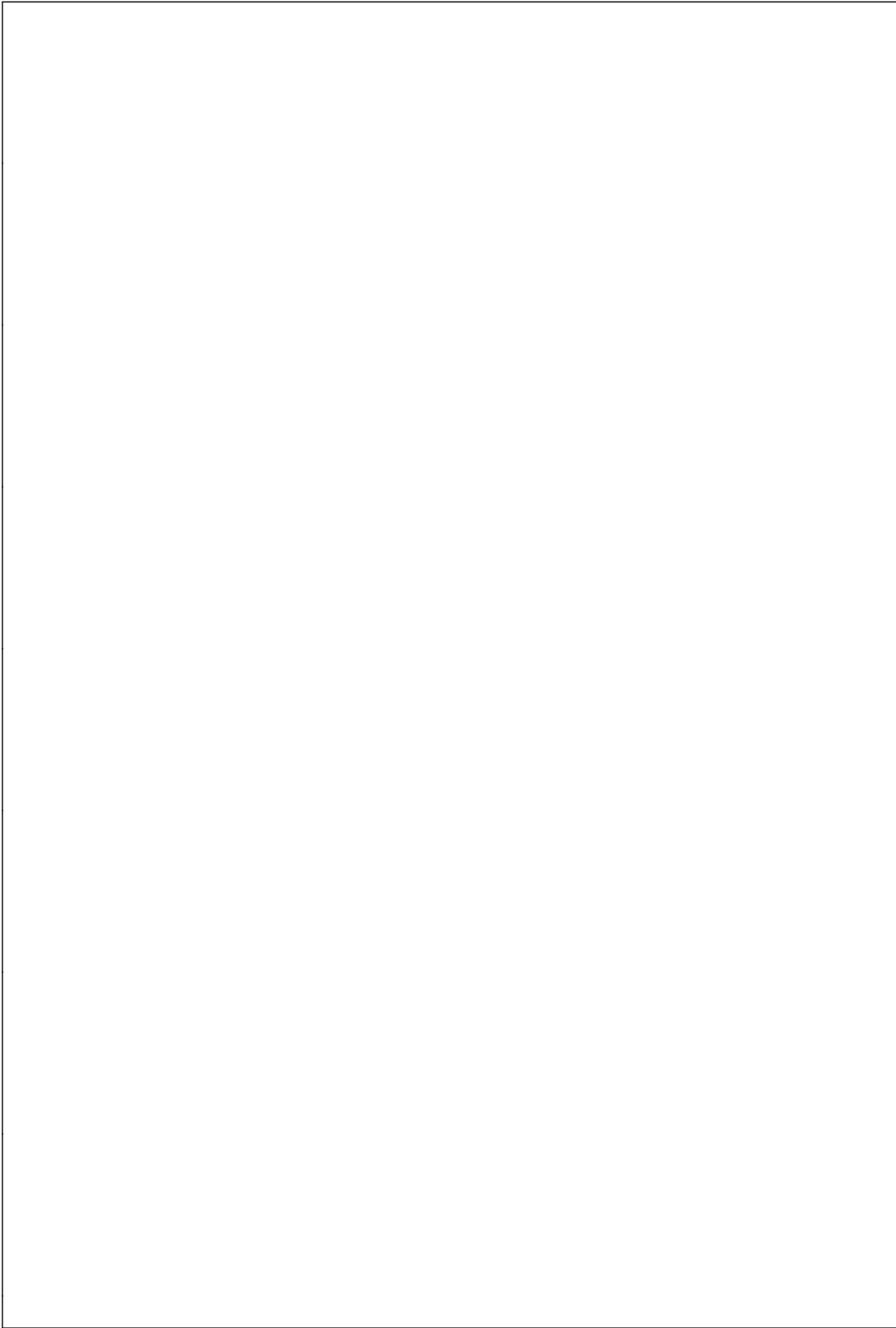


TL/H/10064-12

**Note 1:** Wide Control Voltage Range:

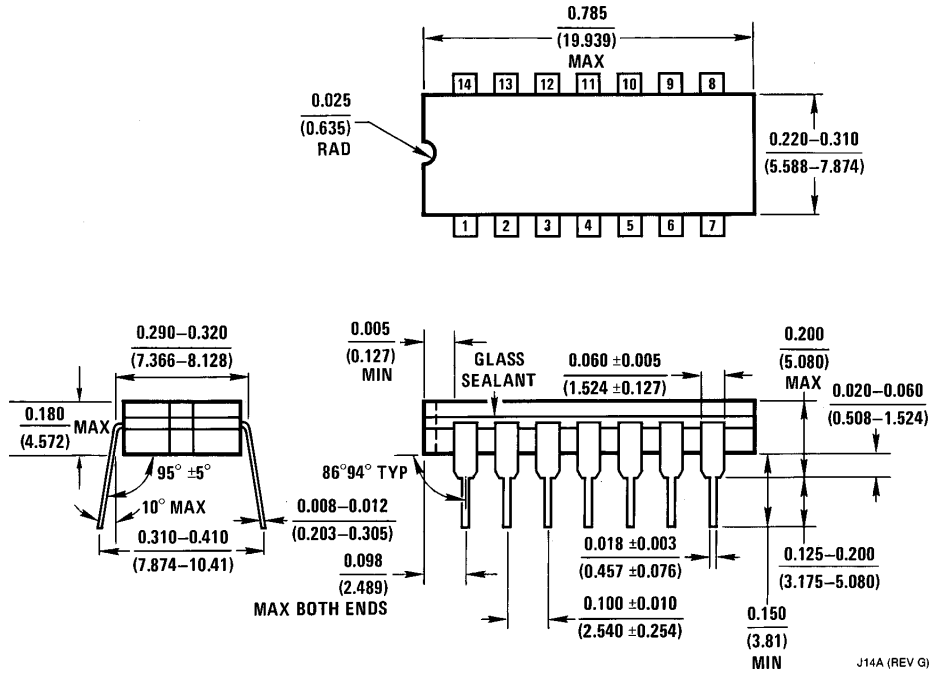
$$0V \leq V_{CO} \leq 2(V \pm 1.5V)$$



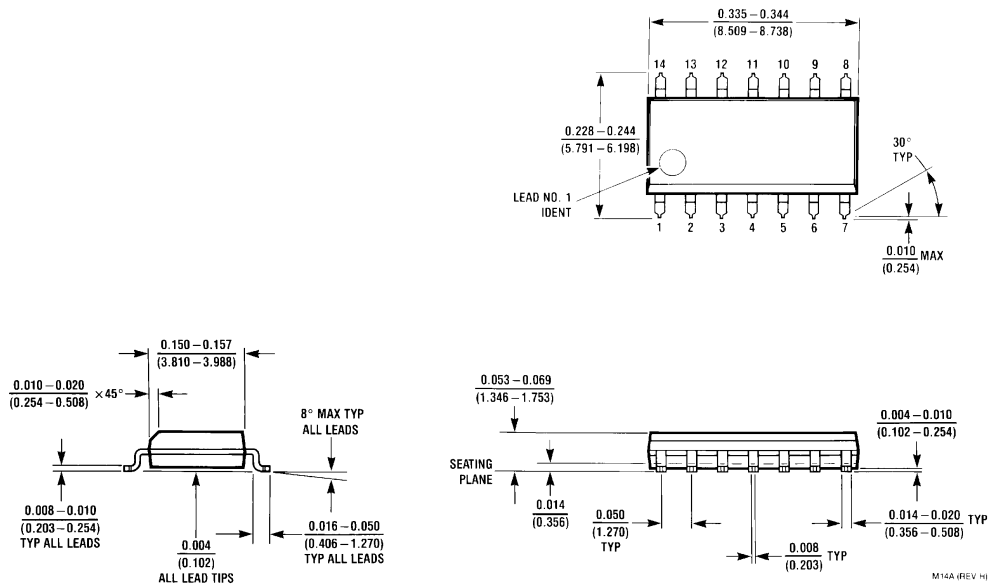




**Physical Dimensions** inches (millimeters)

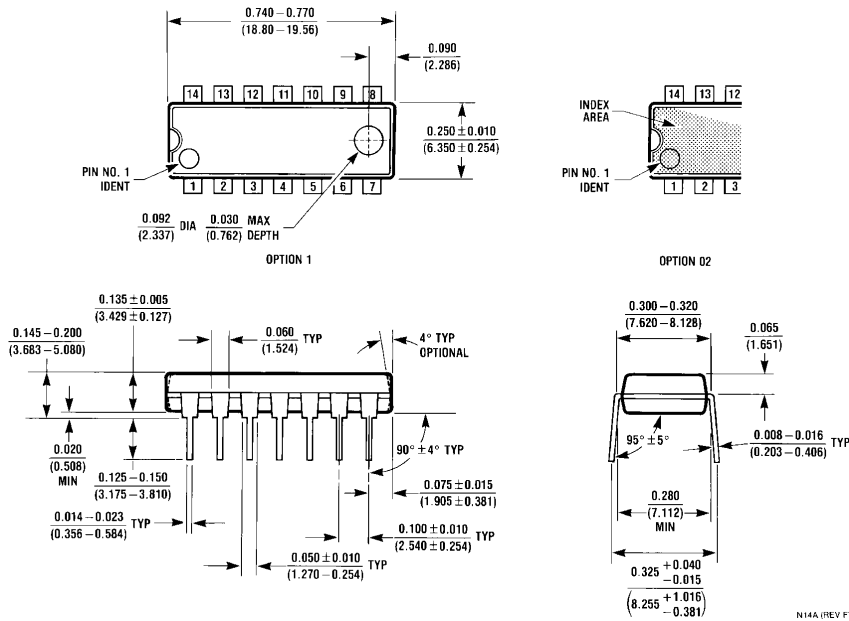


**14-Lead Ceramic Dual-In-Line Package (J)**  
Order Number LM3303J or LM3403J  
NS Package Number J14A



**14-Lead Molded Surface Mount (M)**  
Order Number LM3403M  
NS Package Number M14A

**Physical Dimensions** inches (millimeters) (Continued)



**14-Lead Molded Dual-In-Line Package (N)**  
**Order Number LM3303N or LM3403N**  
**NS Package Number N14A**

**LIFE SUPPORT POLICY**

NATIONAL'S PRODUCTS ARE NOT AUTHORIZED FOR USE AS CRITICAL COMPONENTS IN LIFE SUPPORT DEVICES OR SYSTEMS WITHOUT THE EXPRESS WRITTEN APPROVAL OF THE PRESIDENT OF NATIONAL SEMICONDUCTOR CORPORATION. As used herein:

1. Life support devices or systems are devices or systems which, (a) are intended for surgical implant into the body, or (b) support or sustain life, and whose failure to perform, when properly used in accordance with instructions for use provided in the labeling, can be reasonably expected to result in a significant injury to the user.
2. A critical component is any component of a life support device or system whose failure to perform can be reasonably expected to cause the failure of the life support device or system, or to affect its safety or effectiveness.



**National Semiconductor Corporation**  
 1111 West Bardin Road  
 Arlington, TX 76017  
 Tel: 1(800) 272-9959  
 Fax: 1(800) 737-7018

**National Semiconductor Europe**  
 Fax: (+49) 0-180-530 85 86  
 Email: cnjwge@tevm2.nsc.com  
 Deutsch Tel: (+49) 0-180-530 85 85  
 English Tel: (+49) 0-180-532 78 32  
 Français Tel: (+49) 0-180-532 93 58  
 Italiano Tel: (+49) 0-180-534 16 80

**National Semiconductor Hong Kong Ltd.**  
 19th Floor, Straight Block,  
 Ocean Centre, 5 Canton Rd.  
 Tsimshatsui, Kowloon  
 Hong Kong  
 Tel: (852) 2737-1600  
 Fax: (852) 2736-9960

**National Semiconductor Japan Ltd.**  
 Tel: 81-043-299-2309  
 Fax: 81-043-299-2408

National does not assume any responsibility for use of any circuitry described, no circuit patent licenses are implied and National reserves the right at any time without notice to change said circuitry and specifications.